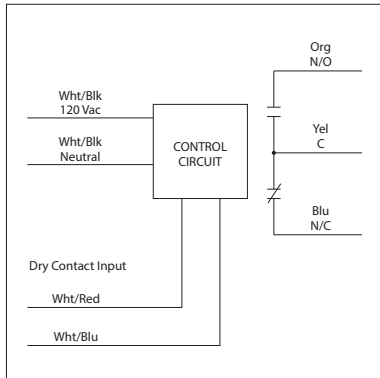


DRY CONTACT INPUT TIME DELAY RELAYS

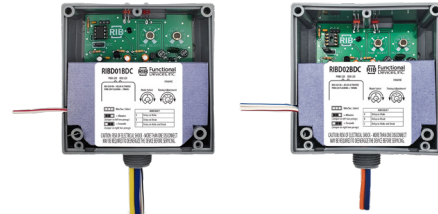
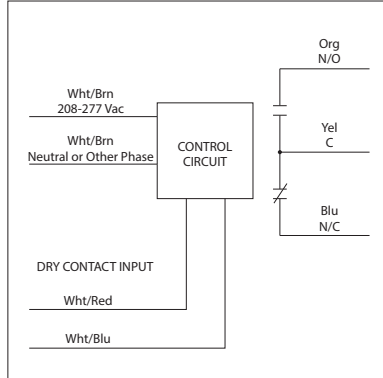
RIBD01BDC

Time Delay Dry Contact Relay, 20 Amp SPDT, Class 2 Dry Contact Input, 120 Vac Power Input, NEMA 1 Housing



RIBD02BDC

Time Delay Dry Contact Relay, 20 Amp SPDT, Class 2 Dry Contact Input, 208-277 Vac Power Input, NEMA 1 Housing



SPECIFICATIONS

- # Relays & Contact Type:** One (1) SPDT Continuous Duty Coil
- Expected Relay Life:** 10 million cycles minimum mechanical
- Operating Temperature:** -30 to 140° F
- Humidity Range:** 5 to 95% (noncondensing)
- Operate Time:** 18ms after time delay
- Relay Status:** Red LED On = Activated
- Time Delay Status:** Pink LED FLASHING = Timing
- Timing Mode:** Selectable: Delay On Make, Delay On Break, or Delay On Make and Break
- Timing Range:** 1-30 Seconds or 1-30 Minutes
- Timing Adjustment:** 3 pin header w/jumper for sec/min and single turn potentiometer for timing adjustment within range
- Dimensions:** 4.00"H x 4.00"W x 1.81"D with 0.50" NPT nipple
- Housing Detail:** See **Housing C** in housing guide for dimensions
- Origin:** Made of US and non-US parts
- Wires:** 16", 600V Rated
- Approvals:** UL Listed, UL916, C-UL, CE, RoHS
- Housing Rating:** UL Accepted for Use in Plenum, NEMA 1
- Gold Flash:** No
- Override Switch:** No

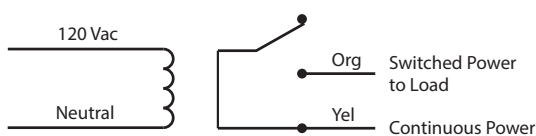
- Contact Ratings:**
 - 20 Amp Resistive @ 277 Vac
 - 20 Amp Ballast @ 277 Vac
 - 16 Amp Electronic Ballast @ 277 Vac (N/O)
 - 10 Amp Tungsten @ 120 Vac (N/O)
 - 770 VA Pilot Duty @ 120 Vac
 - 1,110 VA Pilot Duty @ 277 Vac
 - 2 HP @ 277 Vac
 - 1 HP @ 120 Vac

- Power Input:**
 - 66 mA @ 120 Vac (RIBD01BDC)
 - 62 mA @ 208-277 Vac (RIBD02BDC)

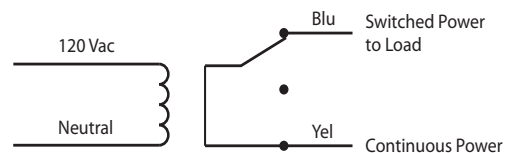
Notes:

- **Dry Contact Input Operation:**
 Mode A&C: Close White/Red wire to White/Blue wire to start timing. Relay will activate after timing sequence has ended.
- **Mode B&C:** Open White/Red and White/Blue wires to start timing. Relay will deenergize after timing sequence has ended.
- If more than one dry contact RIB[®] shares a single dry contact input, White/Blue must be common.
- Changing min/sec or mode while unit is running will reset the unit (de-energize the relay and turn off the timer). Once the dry-contact input is opened the unit will function as normal again
- If the unit is powered up with the dry-contact input closed, the unit will begin timing (MODE A and MODE C) or energize the relay (MODE B).

Wiring for Load on N/O Contact

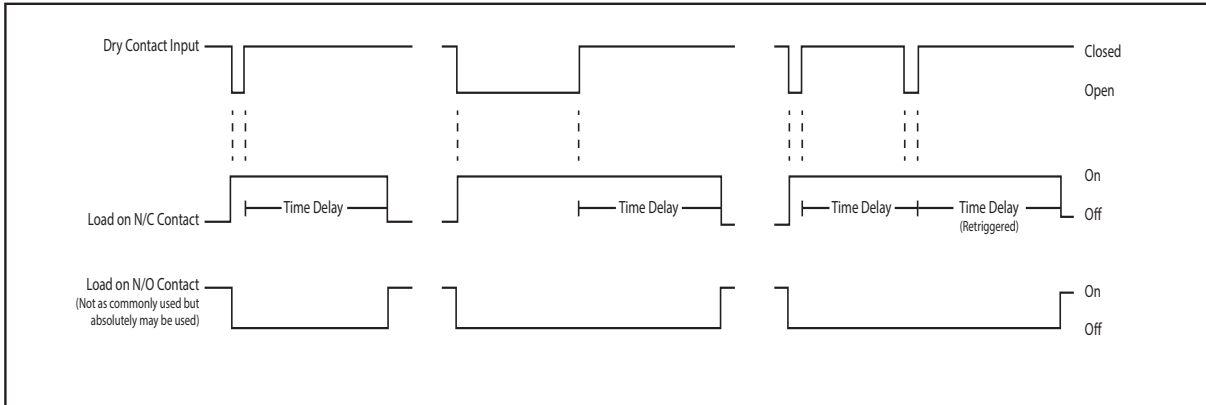


Wiring for Load on N/C Contact

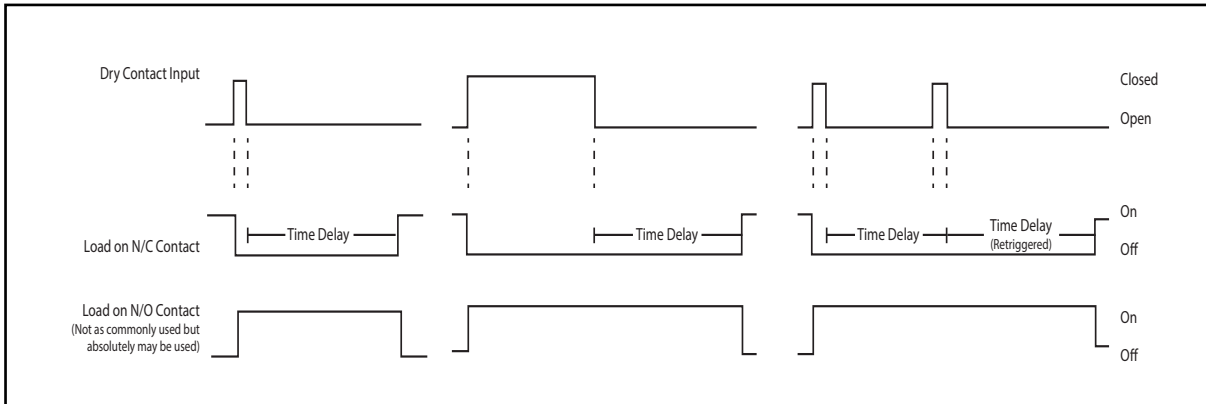


Continued next page

MODE A: DELAY ON MAKE



MODE B: DELAY ON BREAK



MODE C: DELAY ON MAKE AND DELAY ON BREAK

